

VTZ

Collective fans for outdoor installation

6 models of fans: airflows from 500 m³/h up to 7 000 m³/h, pressures up to 300 Pa.



Low energy consumption: electronic commutation motor associated with an automatic pressure control device.

Solidity and reliability: metal construction, made in Germany.



Easy to install: many adapters available, possibility of custom construction.



DCV compatible: built-in automatic pressure control device to optimise DCV performance.



Silent: acoustic foam on the entire shell and optional sound trap.



Easy to maintain: the fan swings open to facilitate cleaning the blades.



Robustness and performance for collective outdoor installations

The VTZ line of fans includes models with capacities ranging from 500 m³/h up to 7 000 m³/h to equip apartment blocks, offices, schools, and other buildings. VTZ fans are designed for outdoor installation, on a flat or pitched roof. They feature robustness and excellent energy efficiency, thanks to the use of high-performance EC-motors and a built-in pressure control device.

Easier maintenance (1)

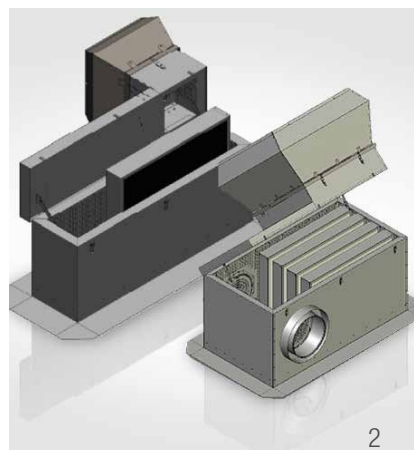
VTZ roof exhaust fans are hinged to make it easier to inspect the ducts, and if necessary to sweep and to clean the propeller. Two screws ensure the safety of this access.

A wide range of adapters for all cases (2)

Aereco offers many aluminium and galvanised steel adapters for pitched roofs and for different duct geometries. Specific parts can also be custom-made on the basis of drawings (contact us).

Pressure control device (3)

A built-in pressure control system makes it easy to define the pressure. The pressure measured by the built-in pressure gauge is displayed on a digital screen. It is automatically regulated to optimise the system when working with demand controlled exhaust units. A 0-10 V output is available to control its operation.



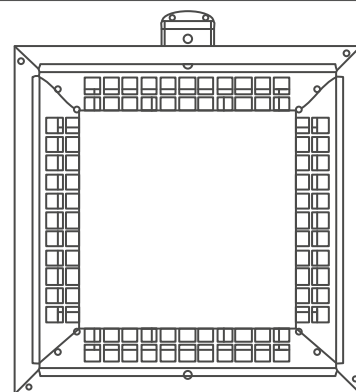
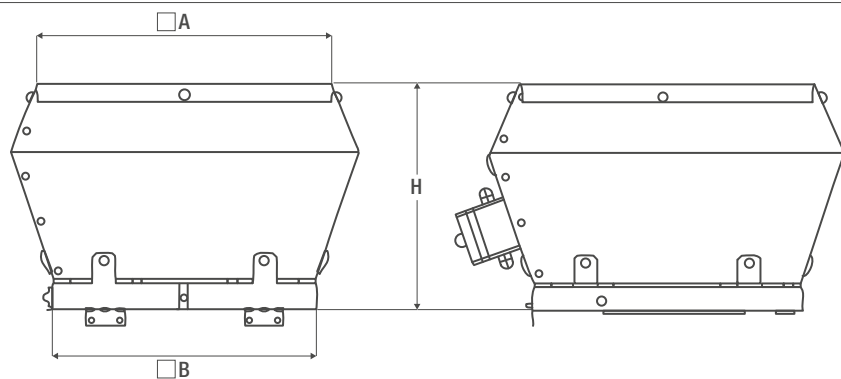


VTZ Collective fans for outdoor installation

		VTZ 0	VTZ 1	VTZ 2	VTZ 3	VTZ 4	VTZ 6
Standard code		VTZ1075	VTZ1076	VTZ1077	VTZ1078	VTZ1145	VTZ1125
Airflow characteristics							
Max. possible airflow @ 100 Pa	m ³ /h	500	1 000	1 750	2 750	5 120	7 000
Max. pressure	Pa	300	300	300	300	300	300
Pressure control device		■	■	■	■	■	■
Acoustics							
Max. sound power level Lw	dB(A)	72	72	66	78	81	80
Max. sound pressure level Lp @ 3 m	dB(A)	58	55	49	51	52	51
Electrics							
Power supply		230 VAC / 50 Hz	230 VAC / 50 Hz	230 VAC / 50 Hz	230 VAC / 50 Hz	230 VAC / 50 Hz	230 VAC / 50 Hz
Motor type		EC	EC	EC	EC	EC	EC
Max. power consumption	W	83	168	150	450	520	690
IP degrees of protection (motor)		IP 54	IP 54	IP 54	IP 54	IP 54	IP 54
Characteristics							
Weight	kg	10	19	21	23	32	57
Colour		metal	metal	metal	metal	metal	metal
Material (main)		galvanised steel	galvanised steel	galvanised steel	galvanised steel	galvanised steel	galvanised steel
Dimensions (A - B - H)	mm	445 - 340 - 290	547 - 440 - 338	720 - 600 - 400	720 - 600 - 400	954 - 707 - 577	954 - 707 - 577
Installation							
Duct connection	mm	336 x 336	436 x 436	595 x 595	595 x 595	697 x 697	697 x 697
Terrace installation		■	■	■	■	■	■
Roof installation		■	■	■	■	■	■
Attic installation		-	-	-	-	-	-
Maintenance							
Proximity switch		■	■	■	■	■	■
Cleaning		swings open for access to impeller and ducts					
Operation							
Direct-drive impeller		■	■	■	■	■	■
Max. speed	RPM	3 200	3 230	1 520	2 180	2 035	1 090

■ standard

Dimensions



FLV690GE_v4