

NEW

E-TFR

Window telescopic sleeve



Avoids the internal cooling of the window (protects from condensations).



Keeps the thermal performance of the window.



Optimizes the acoustics of the air inlet (no noise leakage).

Ensures the air section needed.

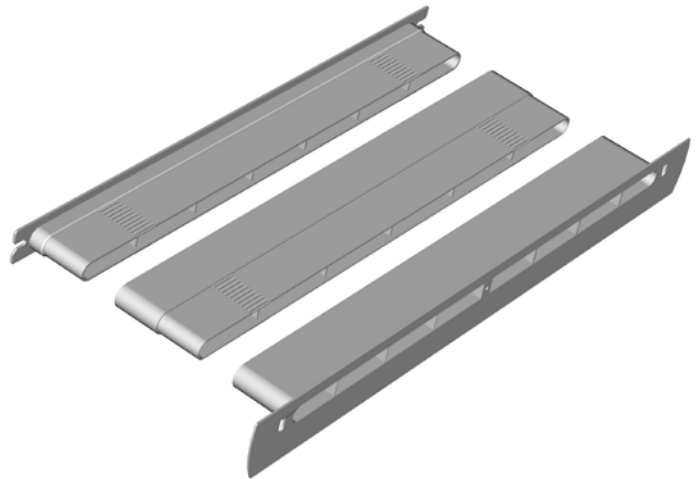
Adapts to the thickness of the window.



Aesthetic integration: designed for Aereco air inlets.



Easy installation: fixing through the holes of Aereco air inlets and canopies.



Protection of the window and guarantee of airflows

By ensuring the continuity of the airflow from the outside canopy to the air inlet, the E-TFR protects the interior of the window and avoids cooling to prevent internal condensation.

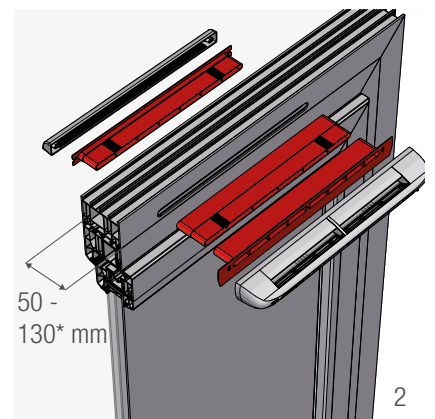
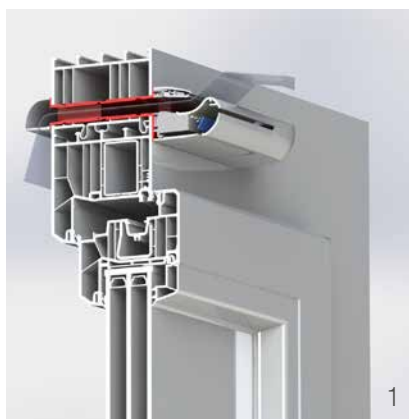
Its implementation guarantees sufficient air passage for ventilation of the room. The window sleeve is composed of two interlocking parts (a canopy side and an air inlet side) plus an optional extension to cover a wide range of window thicknesses, from 50 to 130 mm*. Two versions are available to fit perfectly to the different Aereco air inlets to ensure a perfect airtightness and aesthetic finish (EMM / EHA version and EHA2 version).

Avoids the internal cooling of the window (1)

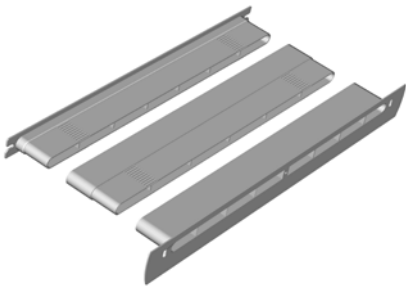
By ensuring the continuity of the flow from the outside canopy up to the indoor air inlet, the window telescopic sleeve E-TFR prevents the cooling of the window inner frame. It thus reduces the risk of condensation inside and keeps the thermal performance of the window, notably for aluminum windows.

Adapts to most of the window profiles, as thin as thick (2)

With two interlocking parts and a telescopic extension available as an accessory, the E-TFR adapts to window profiles from 50 to 130 mm* thickness. Included clips also allow to ensure the correct connection of the components within the profile.



* The window profiles whose thickness is between 71 and 81 mm require a cutting of the telescopic extension and of the part in contact with the air inlet. Beyond 120 mm, a silicone seal between each component is recommended to ensure the tightness of the assembly.



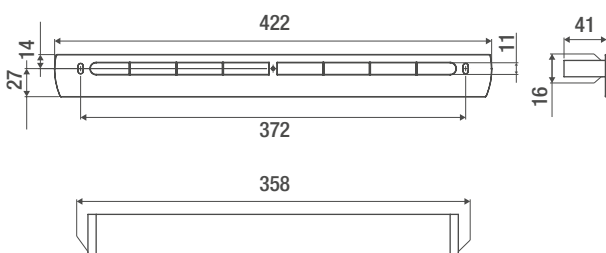
E-TFR Window telescopic sleeve

	E-TFR emm	E-TFR eha2	E-TFR s
Standard code	AEA1150	AEA1151	AEA1152
Description	Kit window sleeve for EMM	Kit window sleeve for EHA2	Extension sleeve for E-TFR
Air inlets compatibility	EMM EHA	EHA ²	EMM EHA EHA ²
Opening area	3 600	3 600	3 600
Characteristics			
Weight	100	109	52
Colour	white	white	white
Material	PS	PS	PS
Installation			
Compatible window thickness	50 to 71 mm	50 to 71 mm	81 to 130 mm (AEA1150 or AEA1151 required)*
Slots to drill	L x h = 359 x 16 mm (minimum dimensions)		
Configuration	Fixed part - fixed part or mobile part - mobile part		
Compatible type of windows	PVC, aluminium, wooden, mixt		
Mounting	Introduce the components into the slot, support surface into contact with the window. Fixed by the screws of the canopy and of the air inlet.		

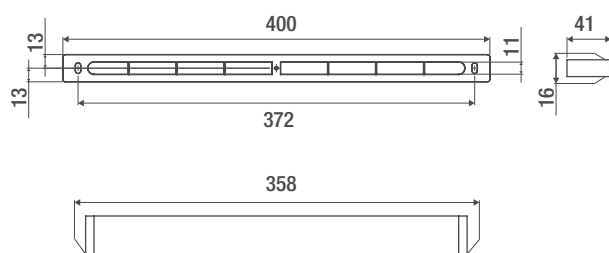
* The window profiles whose thickness is between 71 and 81 mm require a cutting of the telescopic extension and of the part in contact with the air inlet. Beyond 120 mm, a silicone seal between each component is recommended to ensure the tightness of the assembly.

Dimensions in mm

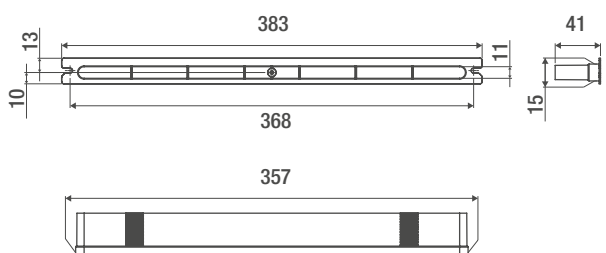
E-TFR EHA² (inlet part)



E-TFR EMM (inlet part)



E-TFR (canopy part, common)



E-TFR s (extension sleeve)

